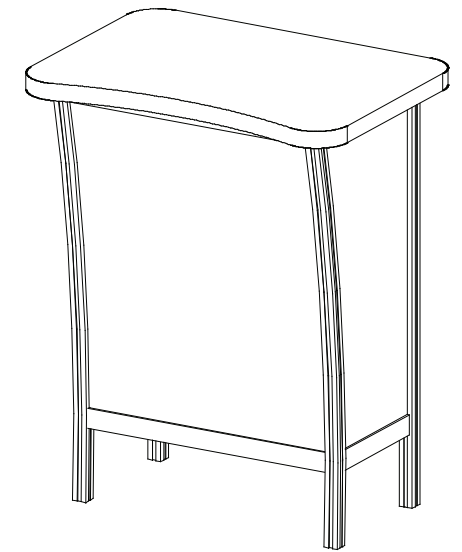


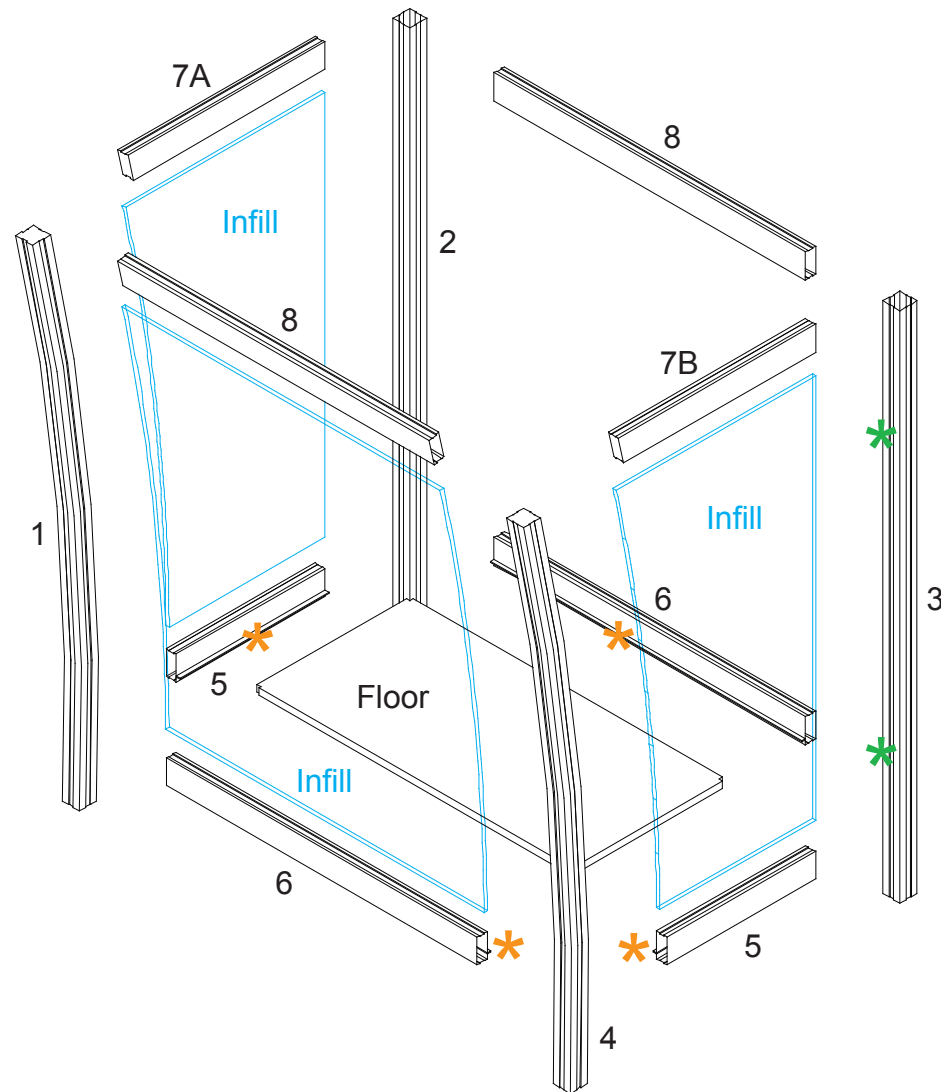
Item	Qty.	Description
1	1	40.232" S40 Curved Vertical Extrusion
2	1	38" S40 Vertical Extrusion w/ Stoppers
3	1	38" S40 Vertical Extrusion w/ Hinges
4	1	40.232" S40 Curved Vertical Extrusion
5	2	11" Z45 Horizontal Extrusion w/ Lip
6	2	23" Z45 Horizontal Extrusion w/ Lip
7A,7B	1,1	14.567" Z45 Horizontal Extrusion
8	2	23" Z45 Horizontal Extrusion

Setups:

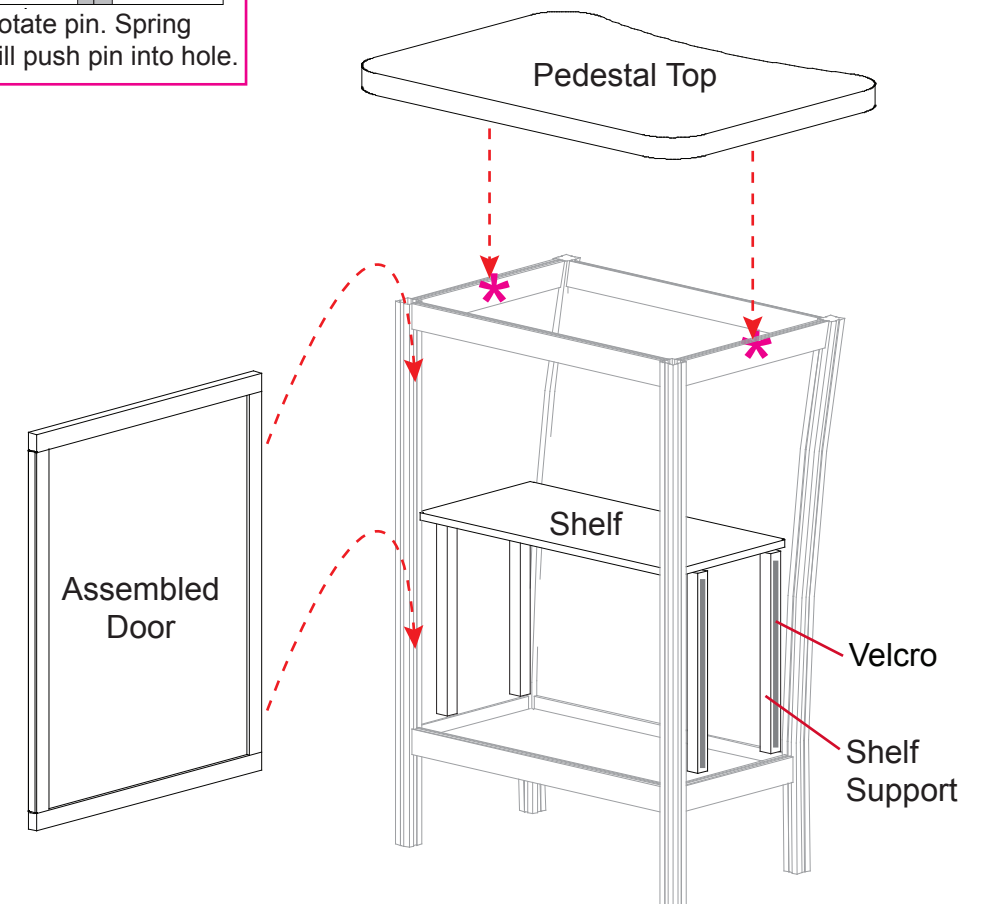
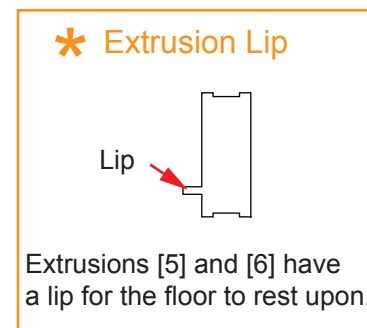
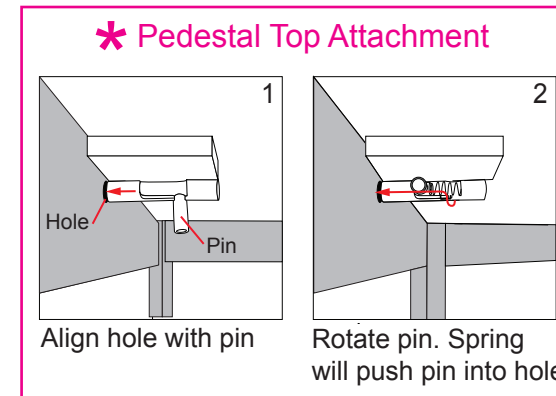
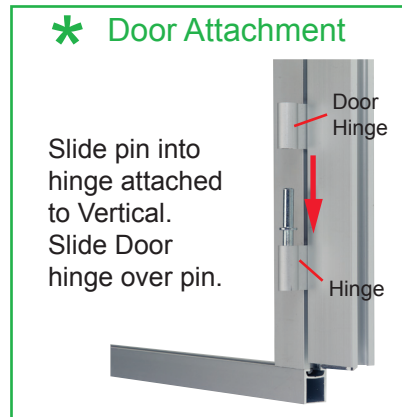
- 1) Connect verticals [1] [2] [3] and [4] with horizontals [5] and [6].
- 2) Insert **infills** between [1 and 2] [1 and 4] [3 and 4] then secure with horizontals [7A] [7B] and [8].
- 3) Attach door to vertical [3]. See **Door Attachment** detail.
- 4) Place floor on lip of horizontals [5] and [6]. See **Extrusion Lip** detail.
- 5) Attach Velcro on shelf supports to infills, inside assembled pedestal base.
- 6) Place shelf on shelf supports.
- 7) Attach pedestal top to horizontals [7A] and [7B]. See **Pedestal Top Attachment** detail.



Completed Assembly



Pedestal Base Assembly



General Setup Instructions

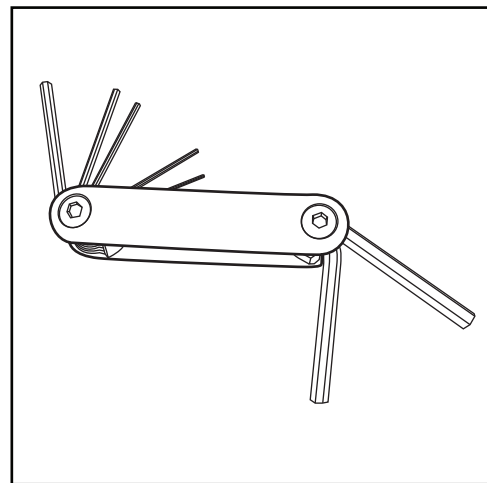
- Read entire setup instruction manual prior to unpacking parts and pieces.
- The setup instructions are created specifically for this configuration.
- Setup instructions are laid out sequentially in steps, including exploded views with detailed explanation for assembly.

Cleaning & Packing

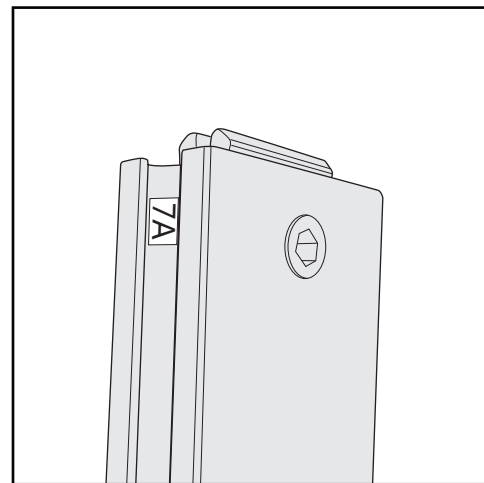
- For Cleaning Metal, Plex, & Laminate Parts: Use a **MILD NON-ABRASIVE** cleanser and soft cloth/paper towel to clean all surfaces.
- Keep exhibit components away from heat and prolonged sun exposure. **Heat and UV exposure will warp and fade components.**
- Retain all provided Packing Materials. All provided packing materials are for ease of repacking & component protection.

Disassembly

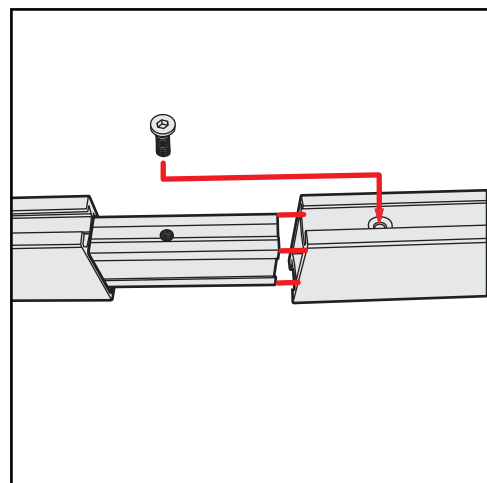
- For loss prevention, tighten all setscrews and locks during disassembly



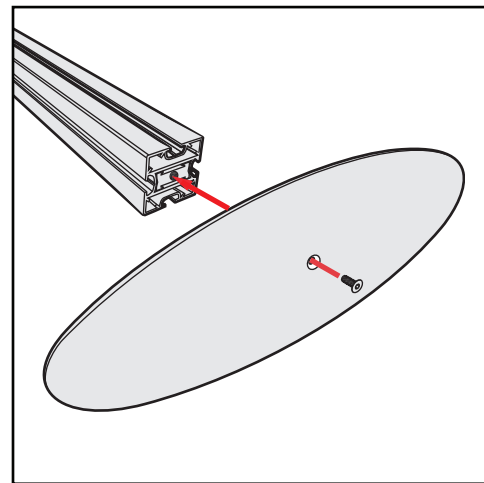
Hex Tool - Essential for Assembly



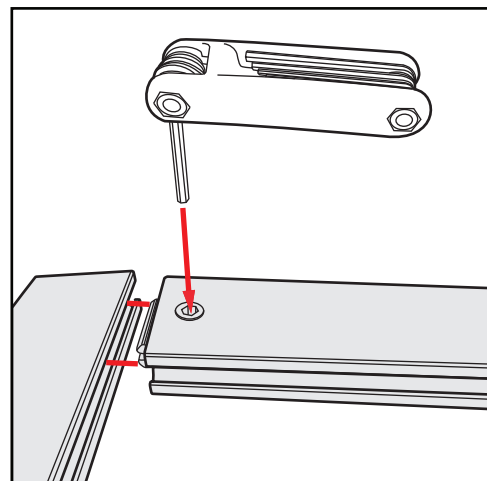
Part Identification - Numbering



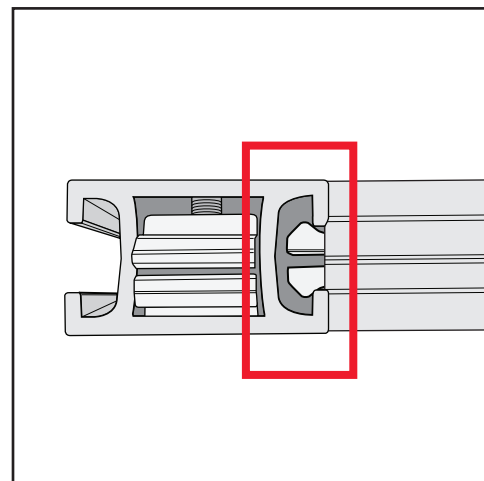
Spline Connection



Base Plate & Extrusion Connection



Extrusion & Lock Connection



Engaged Lock



WARNING



DO NOT USE POWER TOOLS



LADDERS OR LIFTS
MAY BE REQUIRED



ALL CONNECTIONS MUST
BE TIGHTLY SECURED

