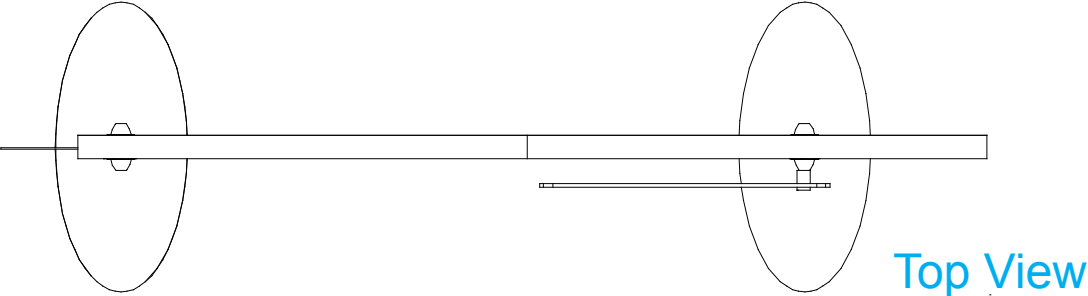
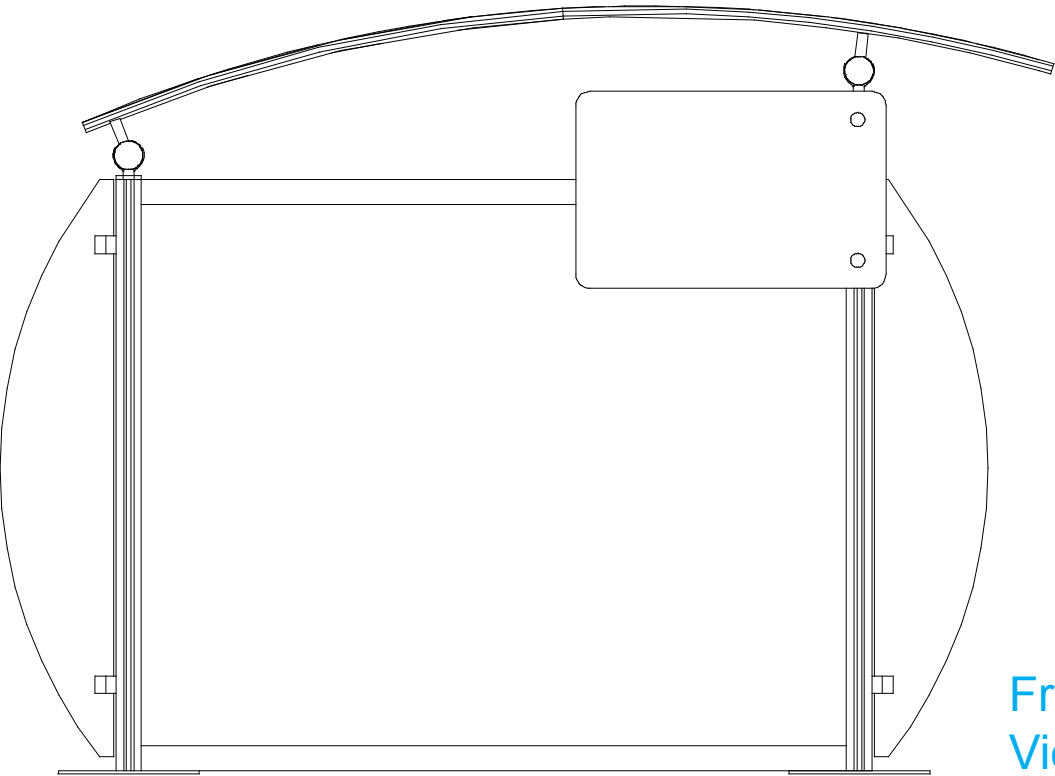
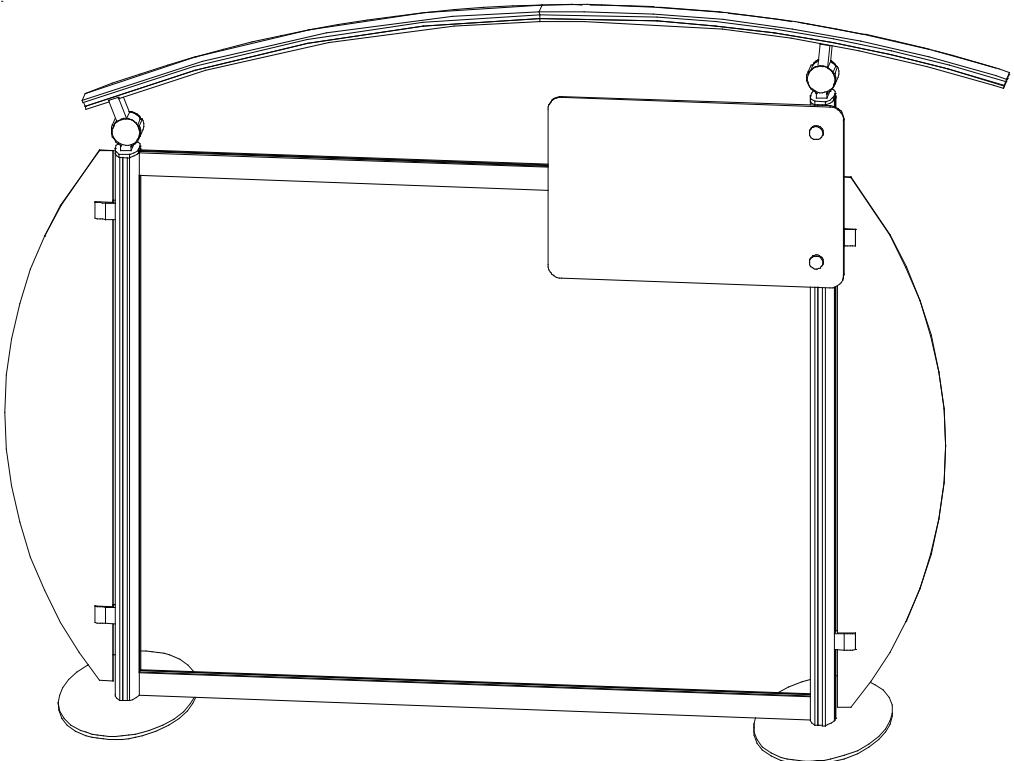


Order #XXXXX - ECO-105T Sustainable 6' Table Top Display



Top View



Front View

## General Setup Instructions

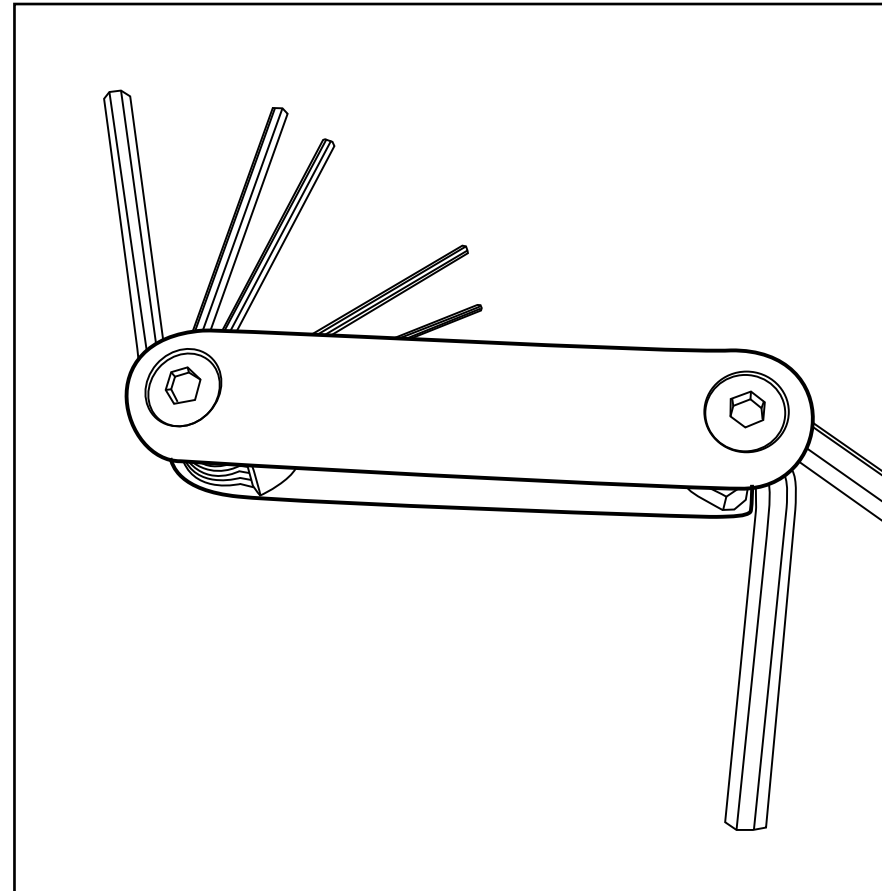
- The setup instructions are created specifically for your configuration.
- Setup instructions are laid out sequentially in levels, including exploded views and a logical series of steps for assembly. We encourage you to study the instructions before attempting to assemble your exhibit.

## Cleaning and Packing

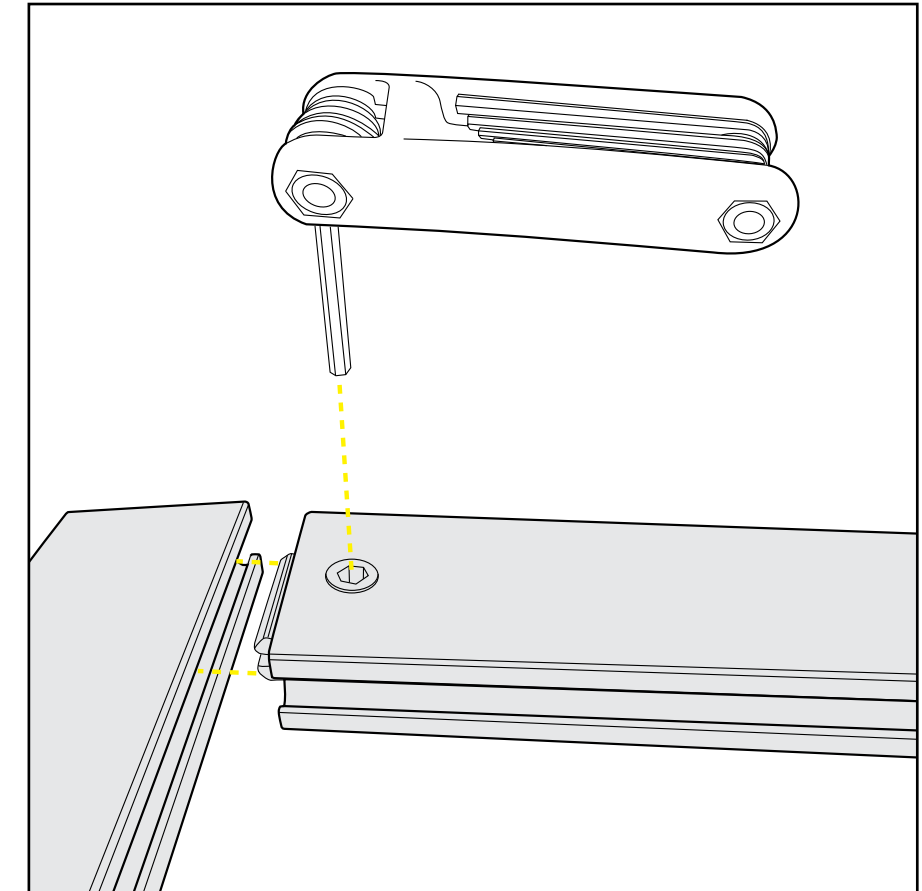
- Use non-abrasive cleaners when cleaning extrusions or ECO Glass inserts.
- Use mild cleaners and soft materials such as cotton to clean all laminates.
- Keep exhibit components away from extreme heat and long exposure to sun light. This will prevent warping and fading.
- Retain all packing material for ease of re-packing. This protects the exhibit components and keeps each part organized.

## Disassembling

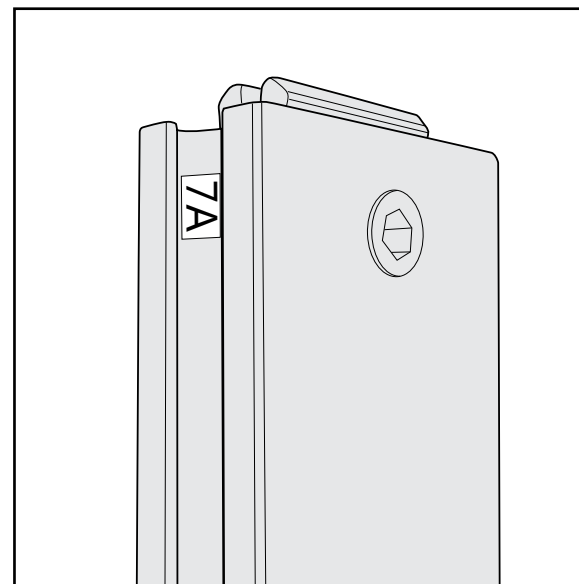
- When disassembling exhibit, tighten all setscrews to prevent loss of hardware in the shipping process.



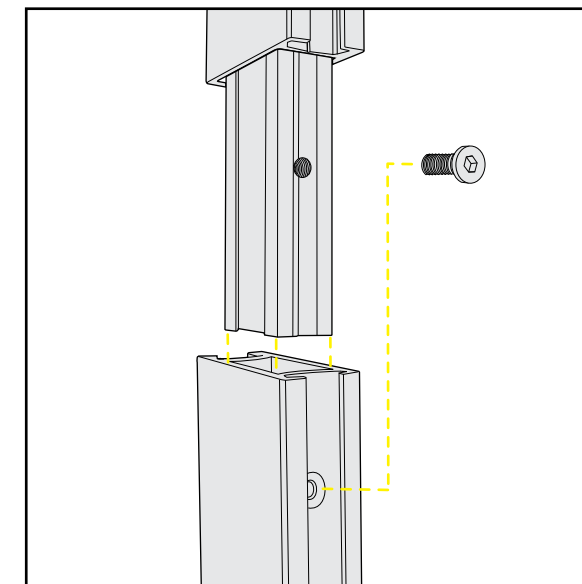
Hex Tool for Assembling Exhibit



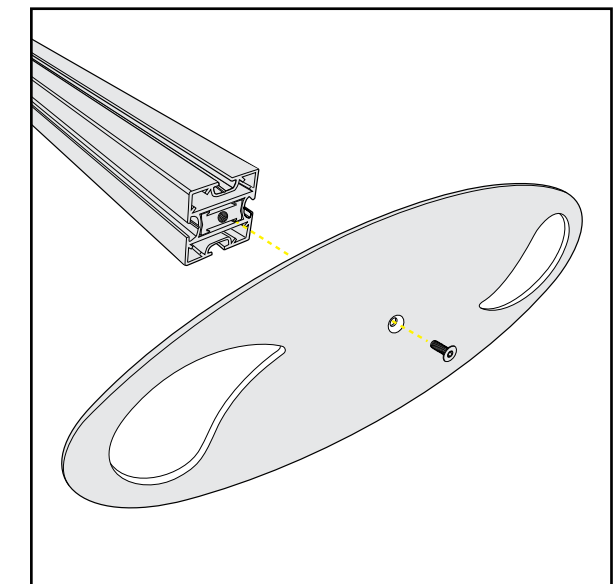
Extrusion Lock Connectors



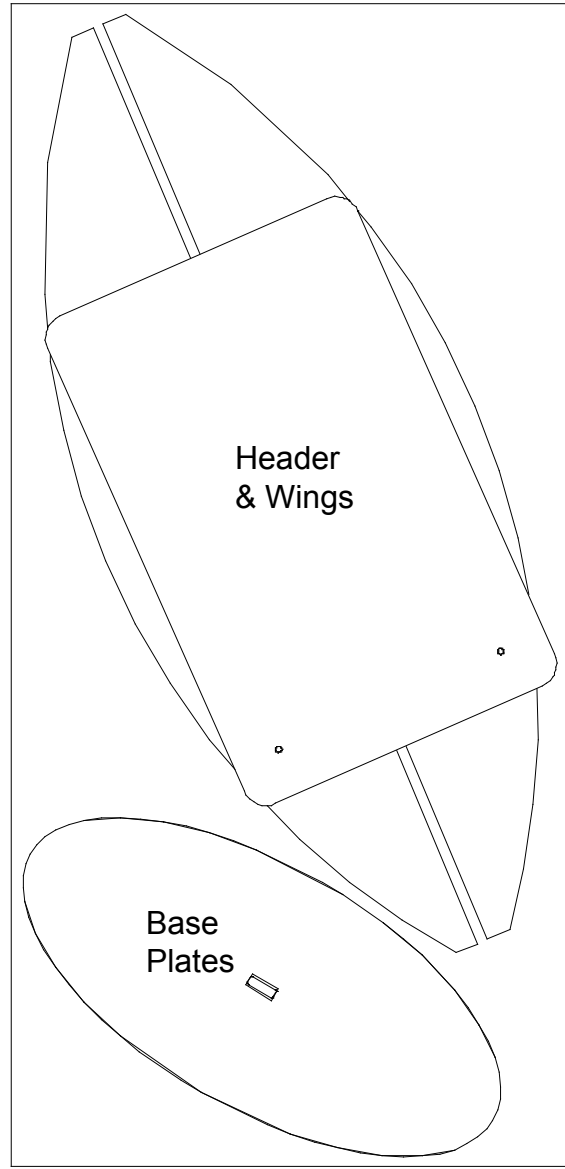
Numbering Instructions for Setups/Packing



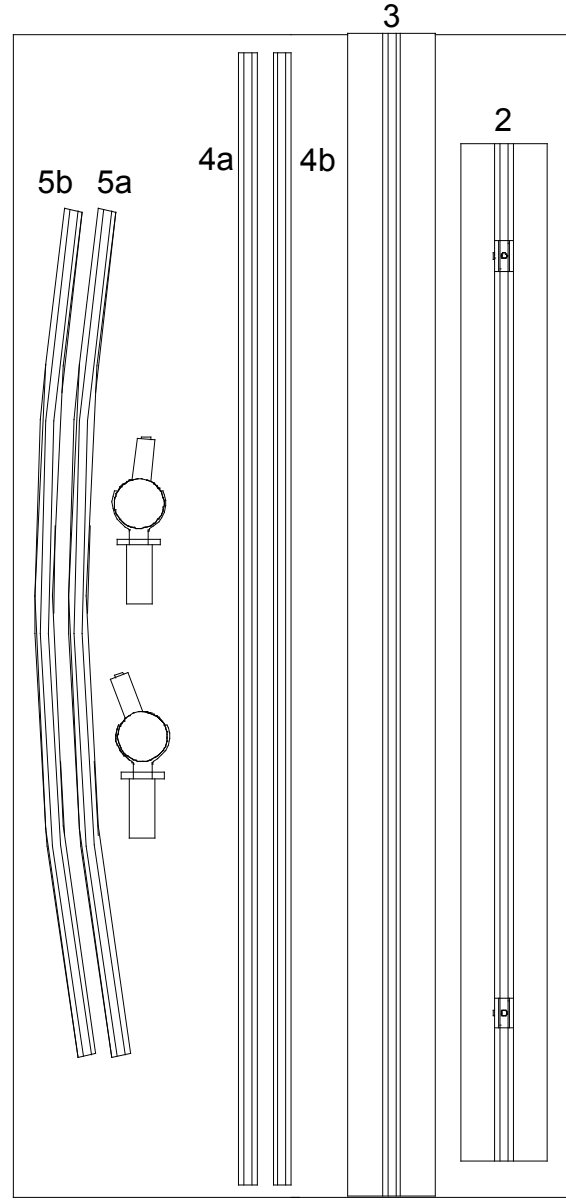
Inline Connection between Extrusions



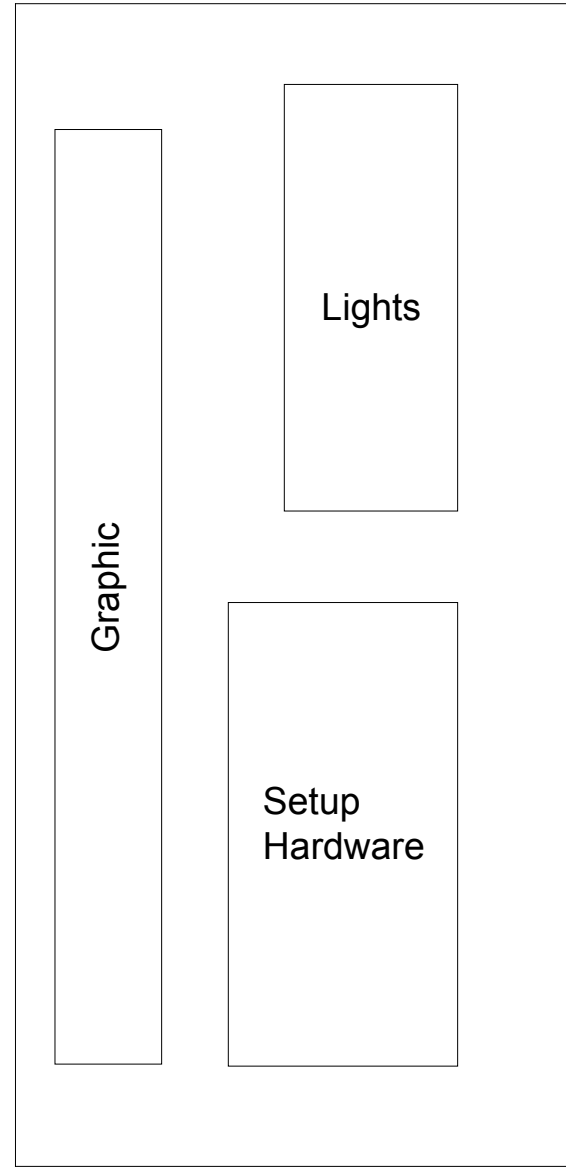
Baseplate Connection for Vertical Extrusions



Level 1



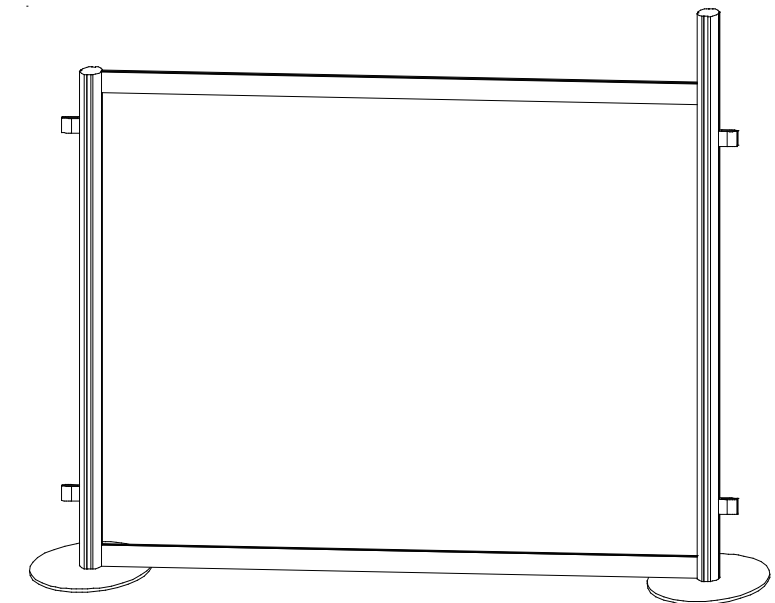
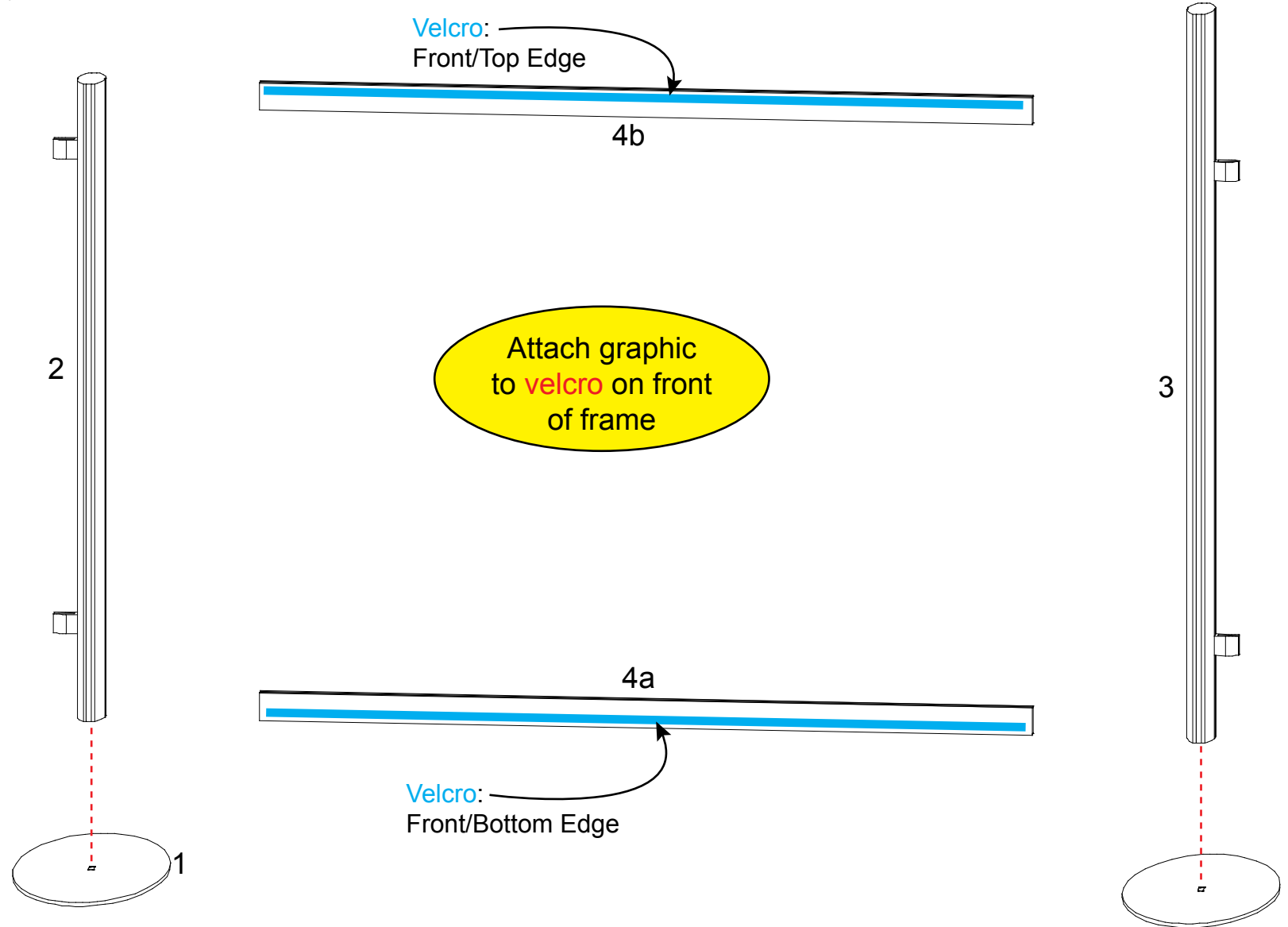
Level 2



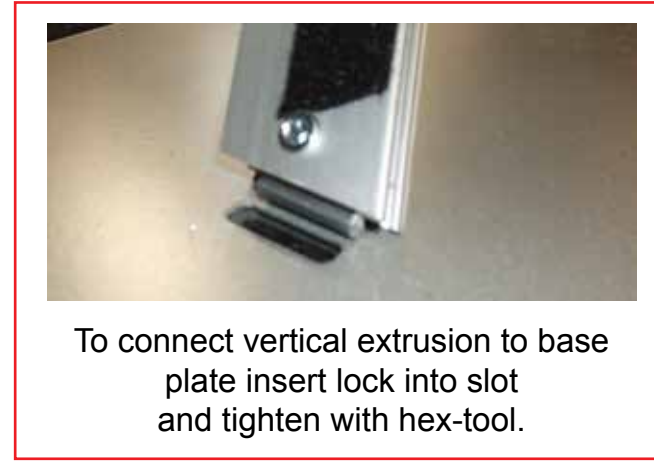
Level 3

Item	Qty.	Description
1	2	Base Plate
2	1	42" OP91 Vertical Extrusion
3	1	48" OP91 Vertical Extrusion
4a/4b	1/1	50" Z45 Horizontal Extrusion

- Steps:
- 1) Attach base plates [1] to verticals [2,3] as shown.
  - 2) Connect verticals [2,3] with horizontals [4a,4b] as shown.
  - 3) Apply graphic to **velcro** on front of horizontals.

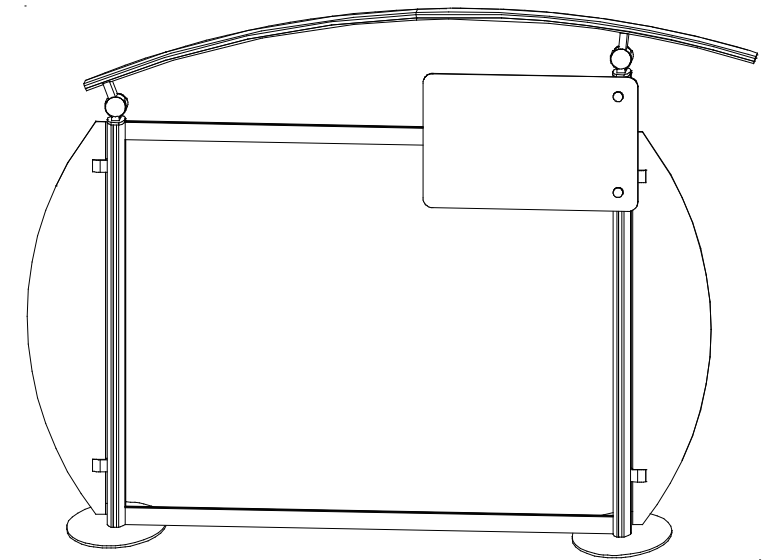
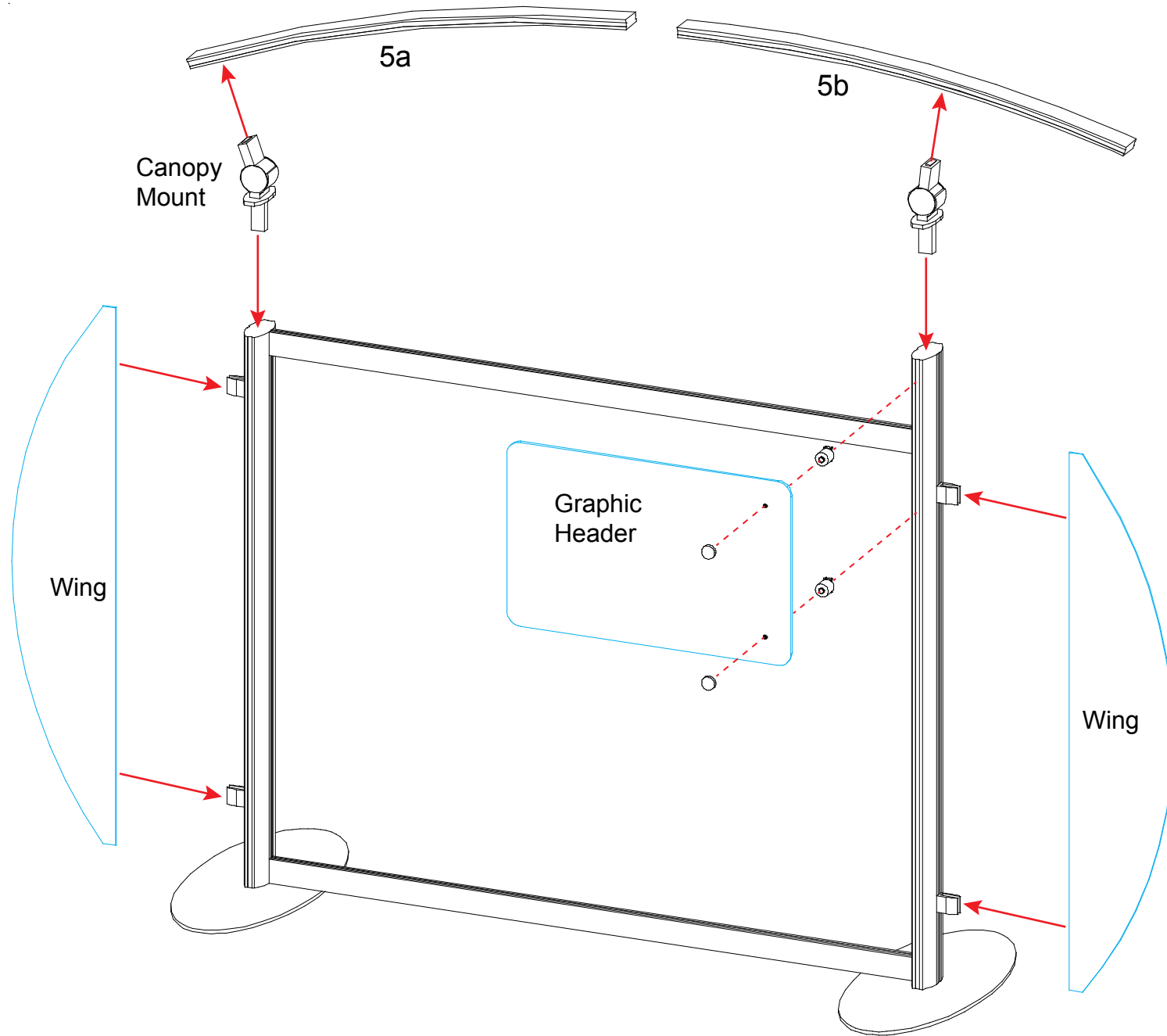


Base Plate Attachment



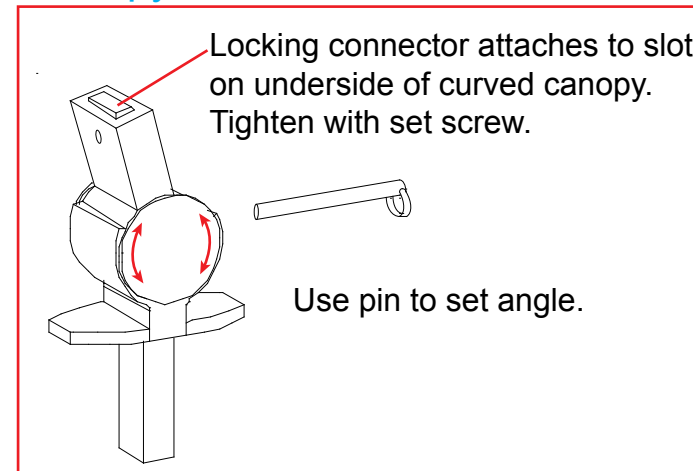
Item	Qty	Description
5a/5b	1/1	35.194" Curved Canopy

- Steps:
- 1) Set canopy mounts in tops of verticals as shown.
  - 2) Connect canopy parts [5a,5b] and attach to canopy mounts as shown in detail.
  - 3) Attach graphic header to vertical with stand-off barrels and screw caps as shown in detail.
  - 4) Attach wings to A10 clamps as shown in detail.

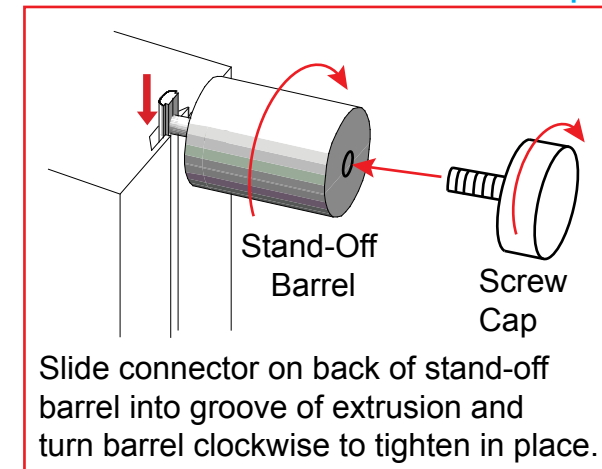


Step 2

### Canopy Mount Attachment



### Stand-Off Barrel & Screw Cap



### A10 Clamp Detail

