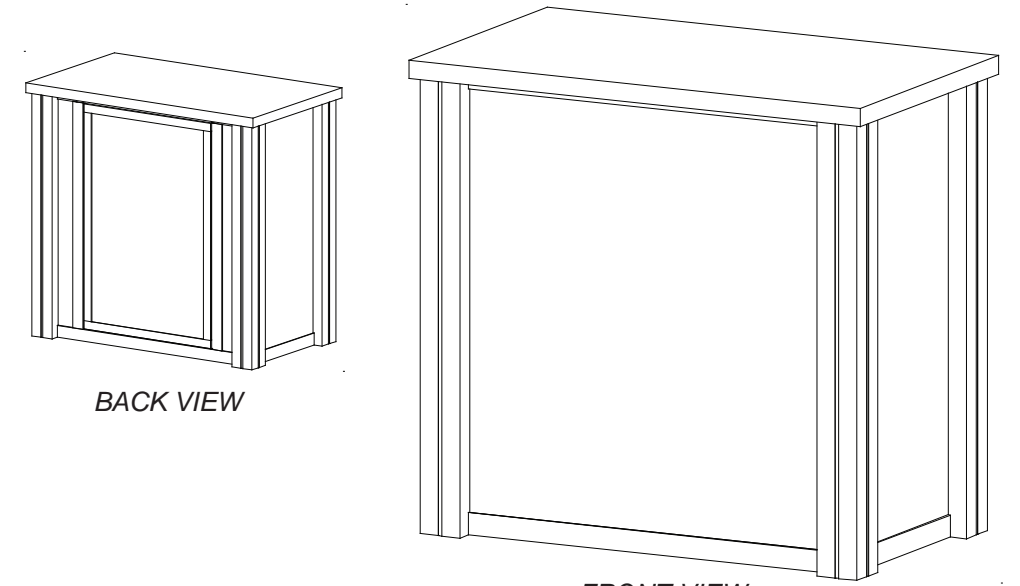


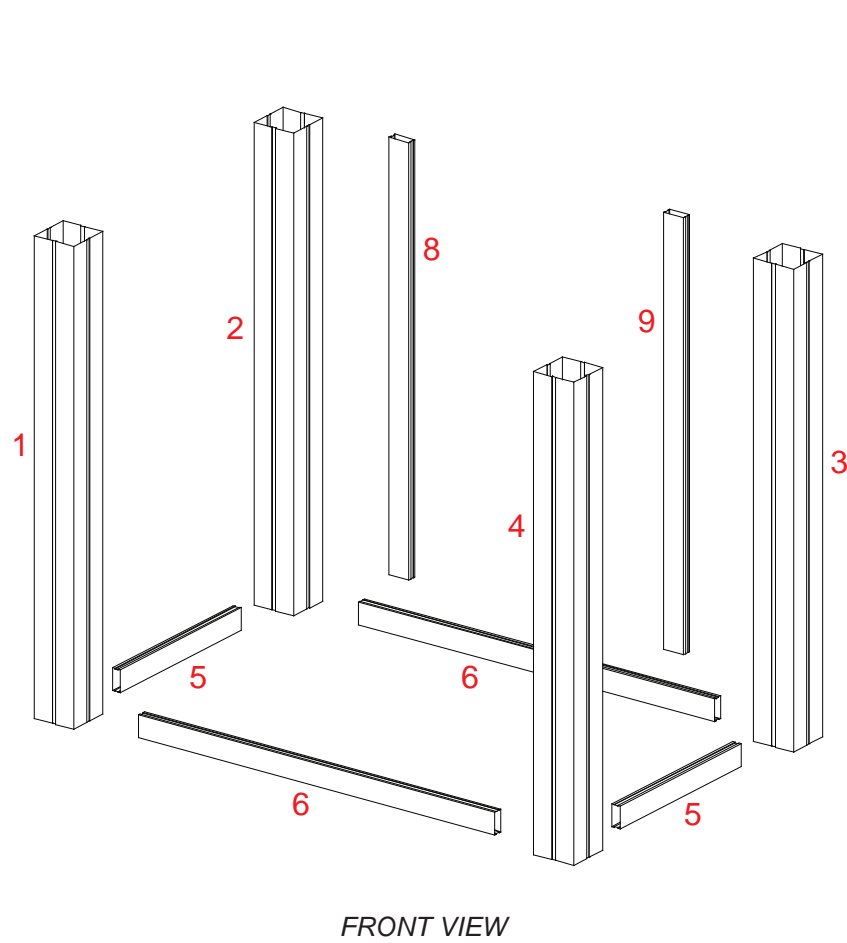
Item	Qty.	Description
1	1	38" Q914 Vertical Extrusion
2	1	38" Q914 Vertical Extrusion
3	1	38" Q914 Vertical Extrusion
4	1	38" Q914 Vertical Extrusion
5/5A	2/2	15" Z45 Horizontal Extrusion
6	4	32.125" Z45 Horizontal Extrusion
8	1	23.25" Z45 Vertical Extrusion w/ Hinges
9	1	23.25" Z45 Vertical Extrusion w/ Door Stop

Steps:

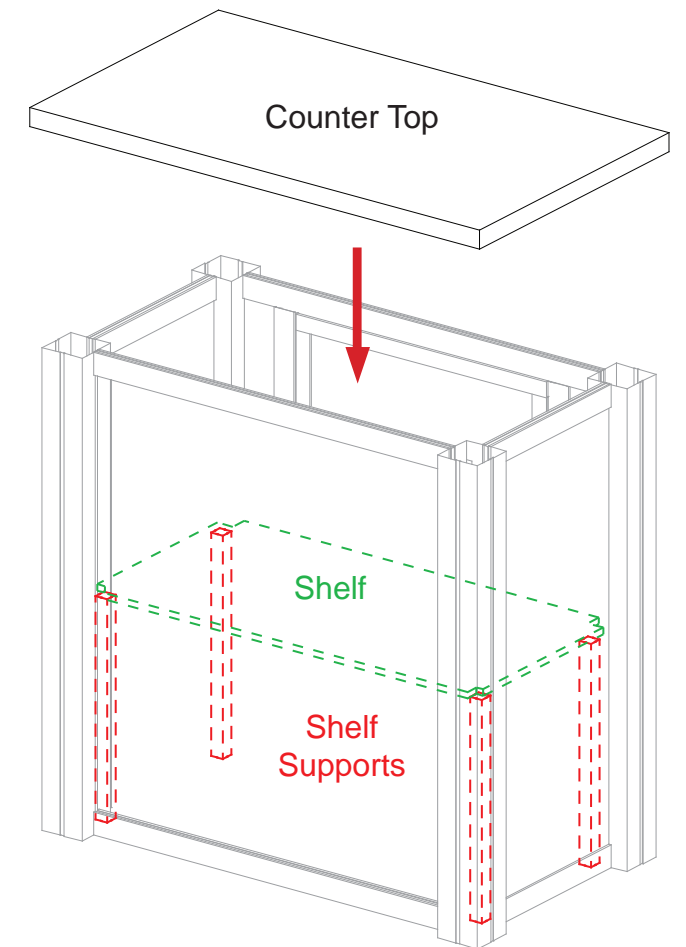
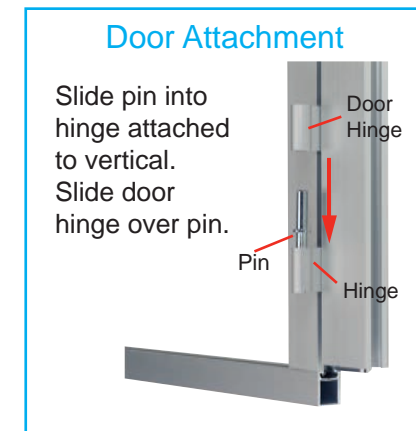
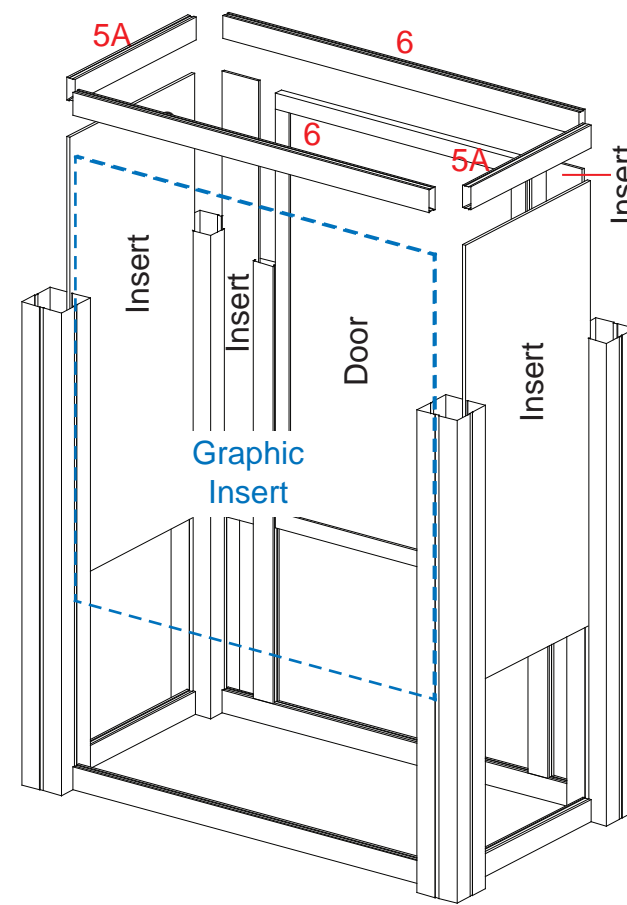
- 1) Assemble lower horizontals [5,6] between verticals [1,2,3,4].
- 2) Lock verticals [8,9] onto lower horizontal [6].
- 3) Slide inserts between verticals and place onto lower horizontals.
- 4) Attach upper horizontals [5A,6] between verticals.
- 5) Hang assembled door from hinges. Refer to door detail.
- 6) Velcro attach shelf supports to inside of assembled pedestal.
- 7) Place shelf on shelf supports.
- 8) Place counter top on top of assembled pedestal.



When assembled



FRONT VIEW



SETUP INSTRUCTIONS

General Setup Instructions

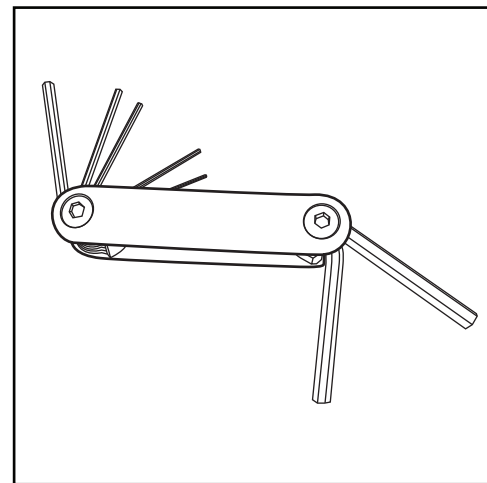
- Read entire setup instruction manual prior to unpacking parts and pieces.
- The setup instructions are created specifically for this configuration.
- Setup instructions are laid out sequentially in steps, including exploded views with detailed explanation for assembly.

Cleaning & Packing

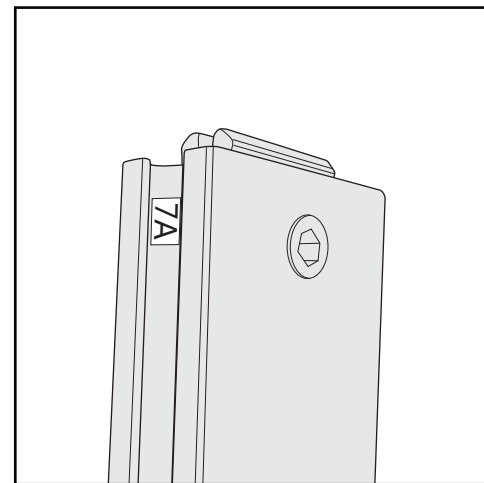
- For Cleaning Metal, Plex, & Laminate Parts: Use a **MILD NON-ABRASIVE** cleanser and soft cloth/paper towel to clean all surfaces.
- Keep exhibit components away from heat and prolonged sun exposure. **Heat and UV exposure will warp and fade components.**
- Retain all provided Packing Materials. All provided packing materials are for ease of repacking & component protection.

Disassembly

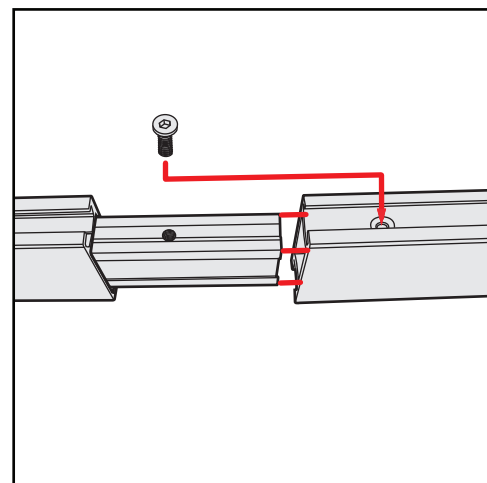
- For loss prevention, tighten all set screws and locks during disassembly.



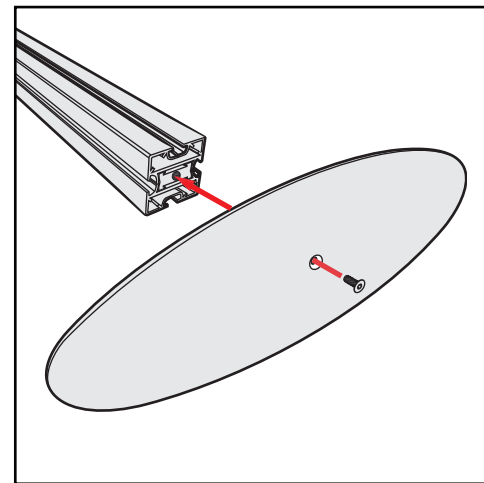
Hex Tool - Essential for Assembly



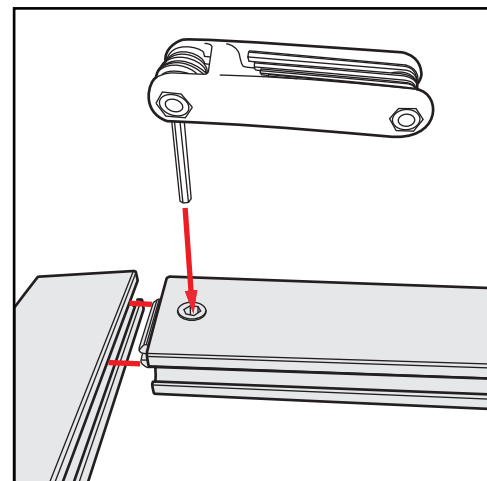
Part Identification - Numbering



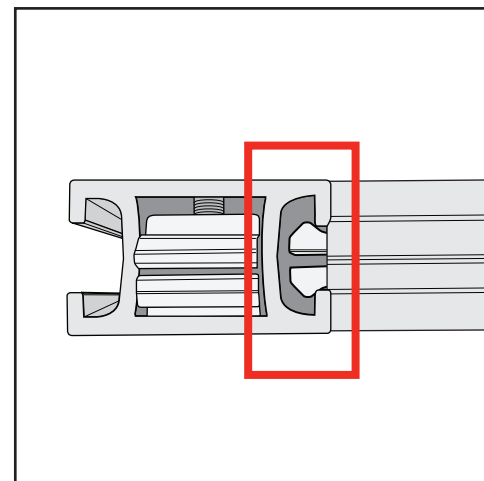
Spline Connection



Base Plate & Extrusion Connection



Extrusion & Lock Connection



Engaged Lock



WARNING



DO NOT USE POWER TOOLS



LADDERS OR LIFTS
MAY BE REQUIRED



ALL CONNECTIONS MUST
BE TIGHTLY SECURED